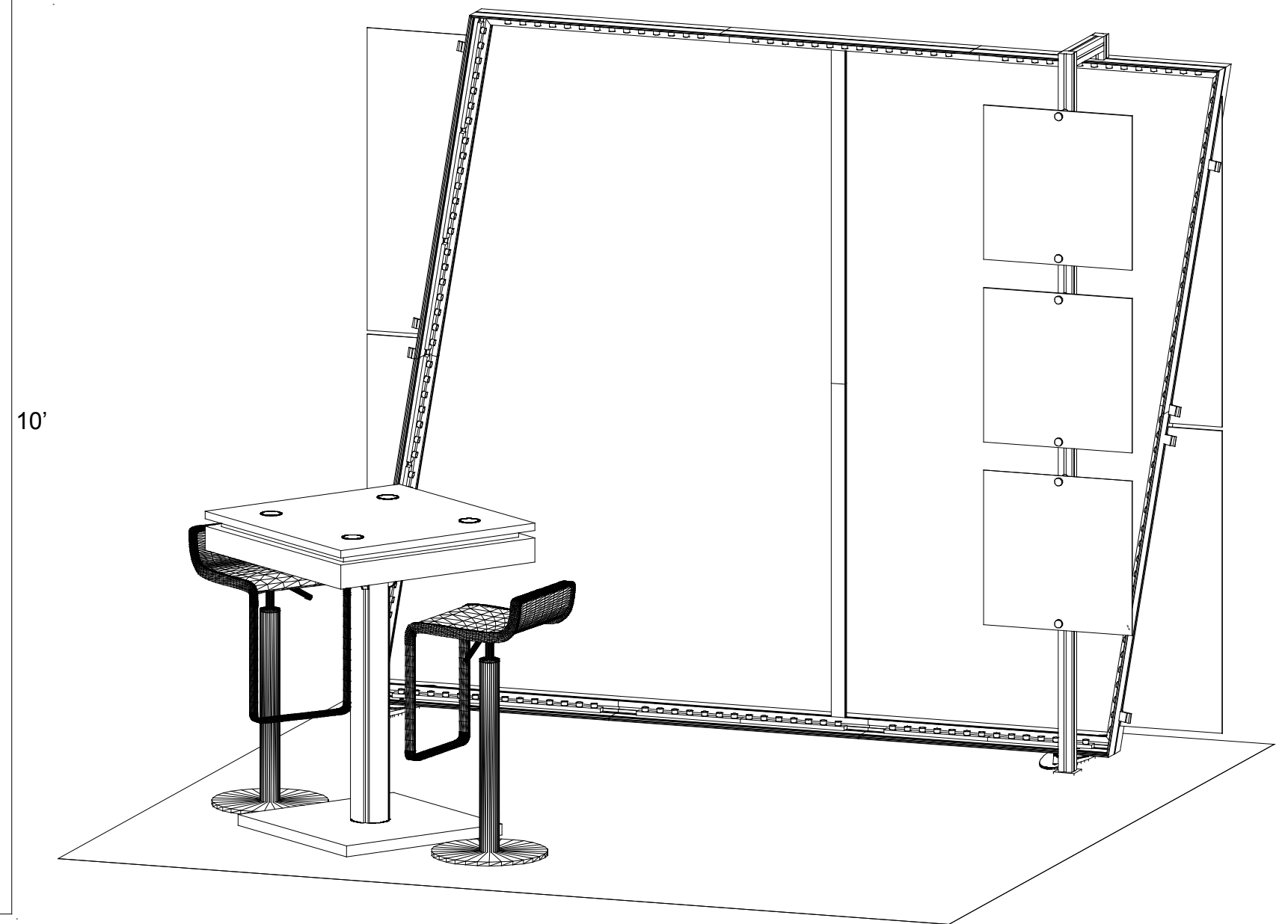


Top View



## General Setup Instructions

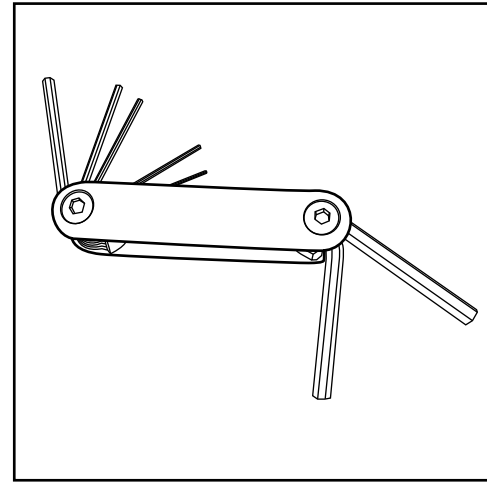
- Read entire setup instruction manual prior to unpacking parts and pieces.
- The setup instructions are created specifically for this configuration.
- Setup instructions are laid out sequentially in steps, including exploded views with detailed explanation for assembly.

## Cleaning & Packing

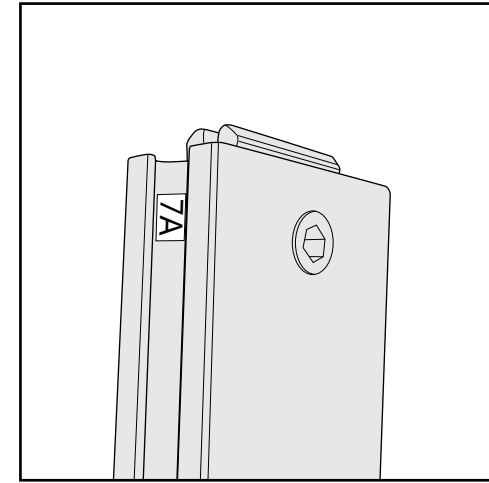
- For Cleaning Metal, Plex, & Laminate Parts: Use a **MILD NON-ABRASIVE** cleanser and soft cloth/paper towel to clean all surfaces.
- Keep exhibit components away from heat and prolonged sun exposure. **Heat and UV exposure will warp and fade components.**
- Retain all provided Packing Materials. All provided packing materials are for ease of repacking & component protection.

## Disassembly

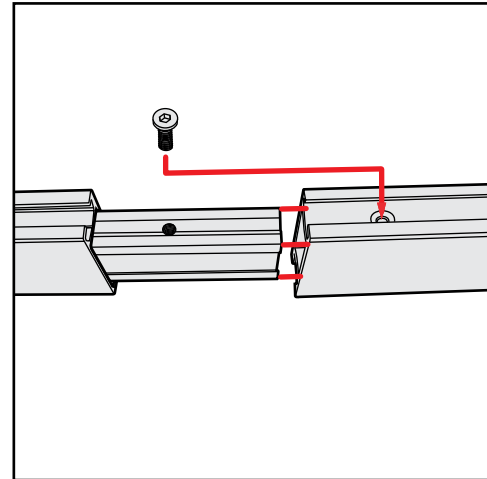
- For loss prevention, tighten all set screws and locks during disassembly.



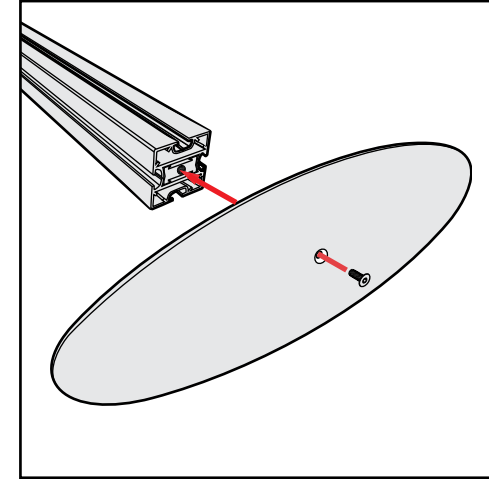
Hex Tool - Essential for Assembly



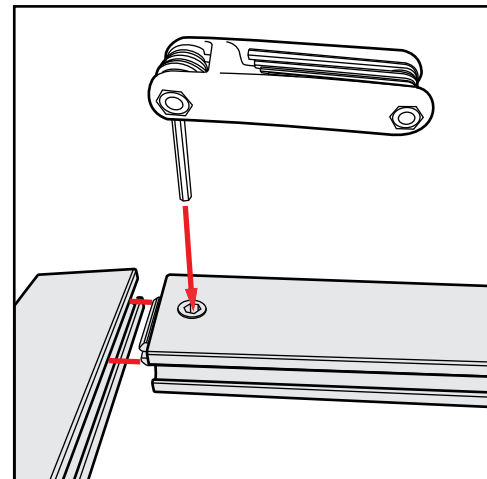
Part Identification - Numbering



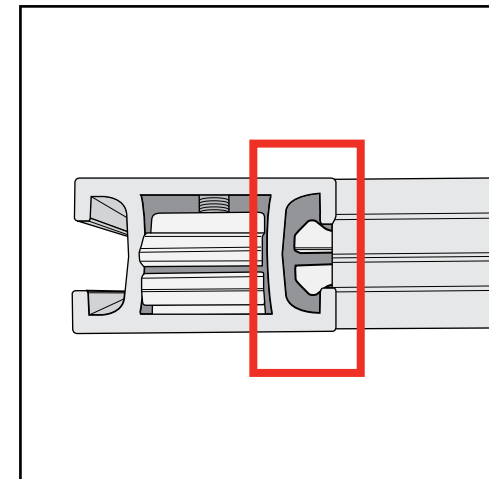
Spline Connection



Base Plate & Extrusion Connection



Extrusion & Lock Connection



Engaged Lock



**WARNING**



DO NOT USE POWER TOOLS

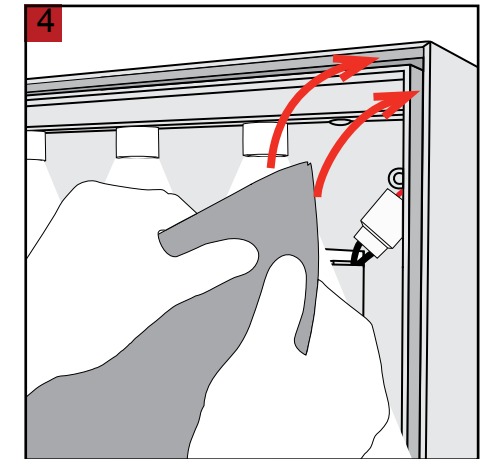
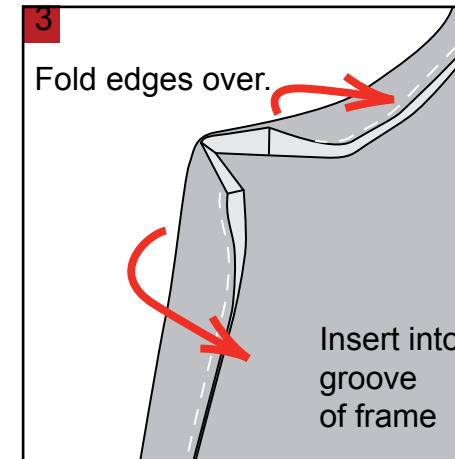
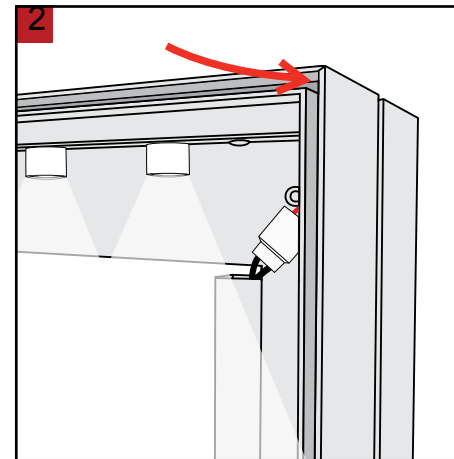
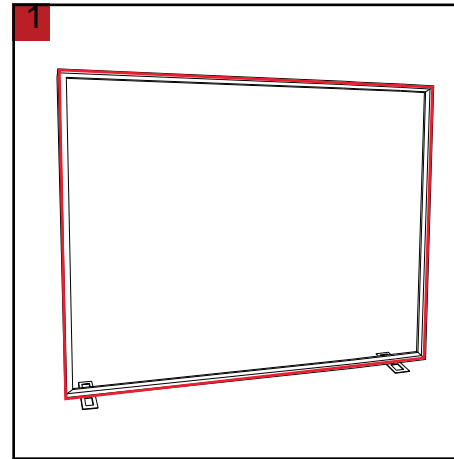


LADDERS OR LIFTS  
MAY BE REQUIRED



ALL CONNECTIONS MUST  
BE TIGHTLY SECURED

- 1) Locate channels along the edges of extrusions
- 2) Insert graphic corners first into channels then center point of graphic into channels. Allows for proportional fit around the perimeter of the extrusion.
- 3) Working from center to corner, slide silicon edge on graphic into channel.
- 4) After all edges of graphic have been inserted into channels, step back and assess graphic fit, make adjustments where needed.



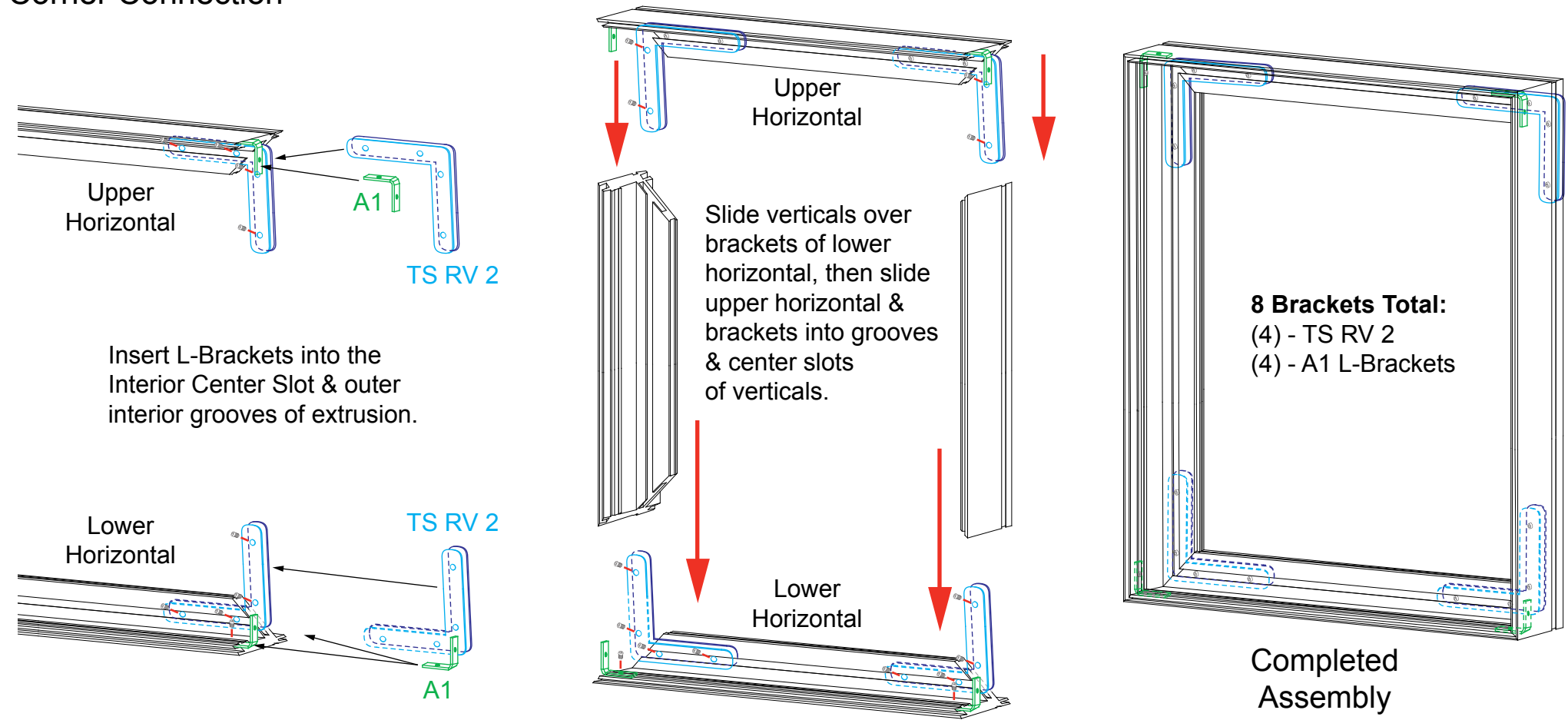
## Corner Bracket Assembly

- 1) Slide TWO-PIECE **TS RV 2** L-bracket into Interior Center Slot of extrusion so that two set screws are inside groove. Tighten two set screws to secure.
- 2) Slide one **A1** L-Bracket into outer interior grooves of upper and lower horizontals. Tighten set screws to secure.
- 3) Slide vertical extrusion over exposed ends of brackets in lower horizontal. Tighten set screws to secure.
- 4) Slide exposed ends of installed brackets of upper horizontal into open ends of verticals. Tighten set screws to secure.

## Disassembly

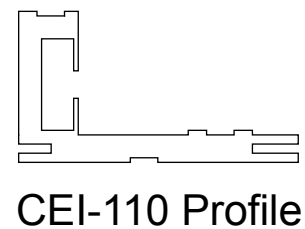
- 1) Loosen set screws on brackets and slide extrusions off of brackets.

### Corner Connection

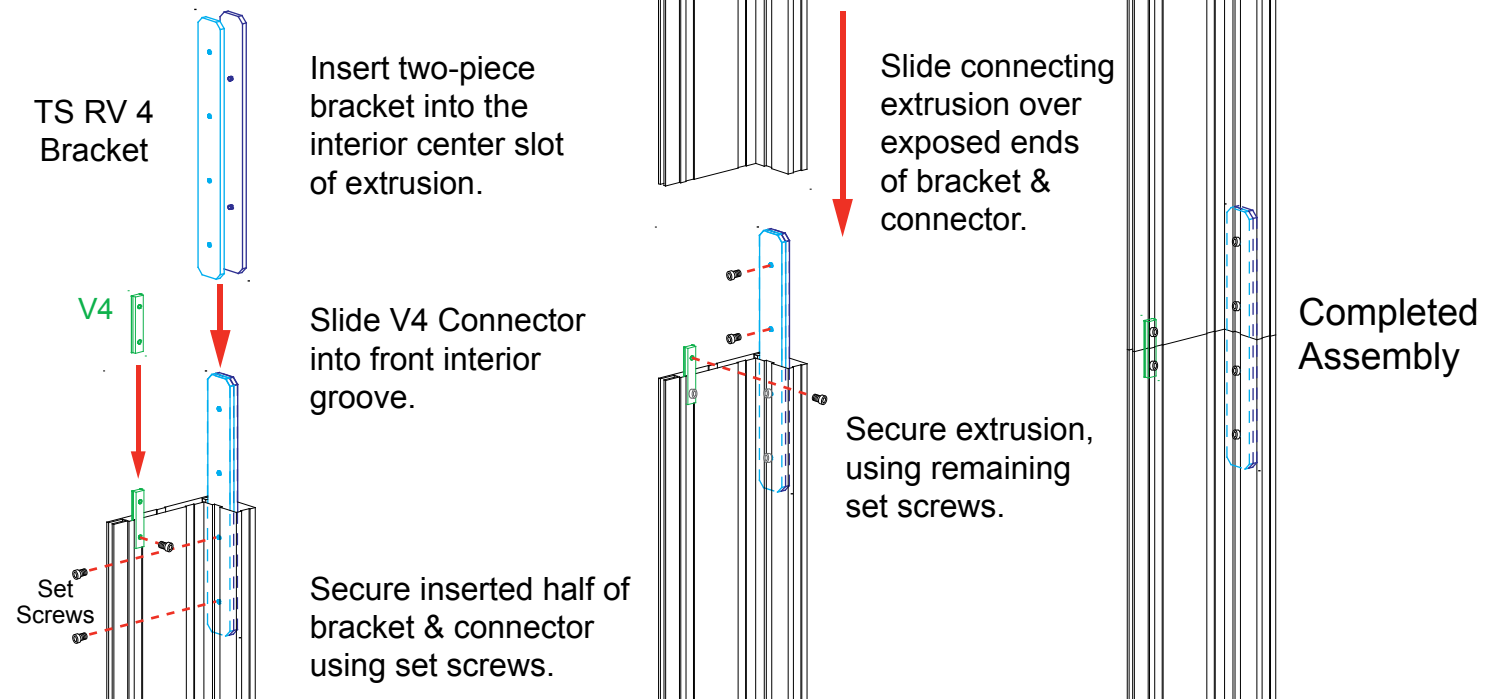


## Straight Bracket Assembly

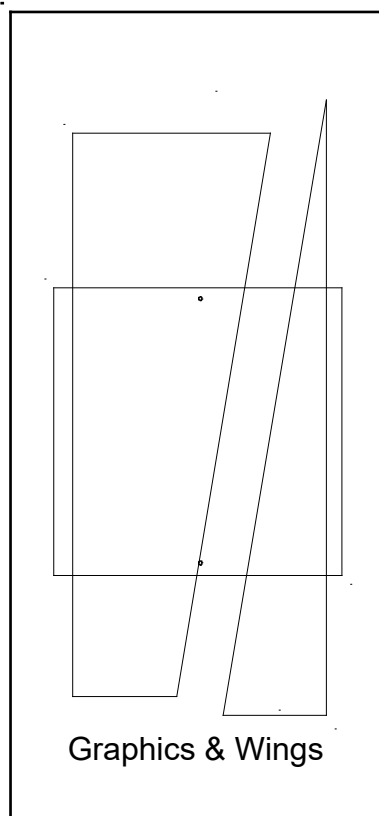
- 1) Slide TWO-PIECE **TS RV 4** straight bracket into Interior Center Slot of extrusion, so that two of the set screws are inside groove. Tighten two set screws to secure.
- 2) Slide one **V4 Connector** into outer interior groove of extrusion, so that one set screw is inside groove. Tighten set screw.
- 3) Slide connecting extrusion over exposed ends of bracket & connector. Tighten all remaining set screws to secure extrusions.



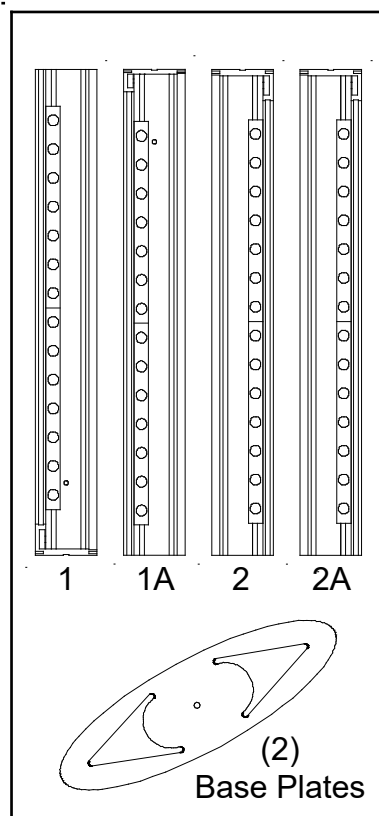
### Straight Connection



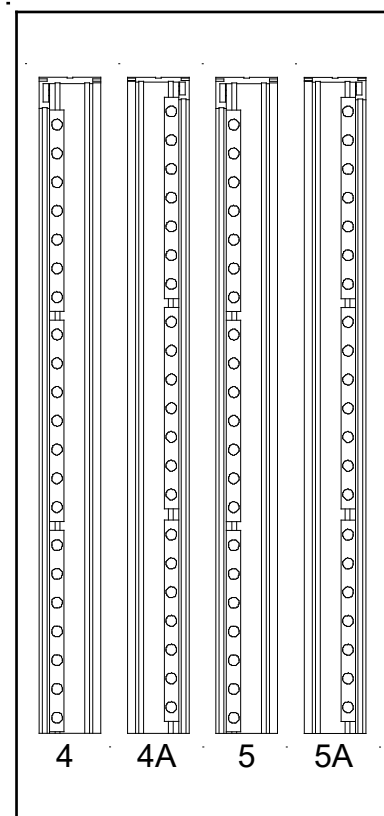
### Top View of Each Level



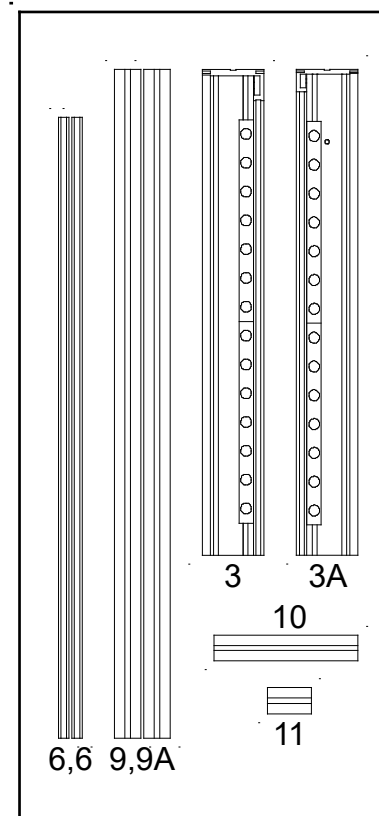
Level 1 (Bottom Level)



Level 2



Level 3



Level 4

Graphics

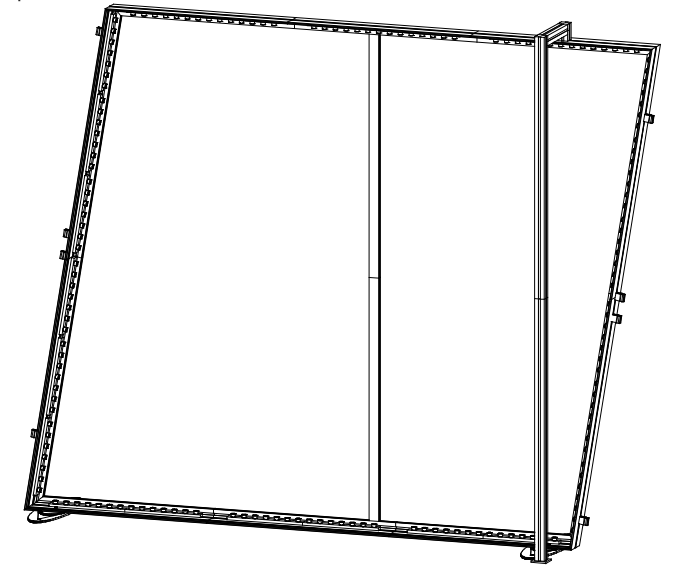
Setup Hardware



Item	Qty.	Description
1,1A	1,1	33.6754" CEI110 Horizontal Extrusion
2,2A	1,1	33.6753" CEI110 Horizontal Extrusion
3,3A	1,1	33.6753" CEI110 Horizontal Extrusion
4,4A	1,1	45.6185" CEI110 Vertical Extrusion
5,5A	1,1	45.6185" CEI110 Vertical Extrusion
6,6A	1,1	43.1767" Z45 Vertical Extrusion
7	2	Base Plate
8	1	Base Plate
9,9A	1,1	46.5" S44 Vertical Extrusion
10	1	10" S44 Horizontal Extrusion
11	1	3" S44 Vertical Extrusion

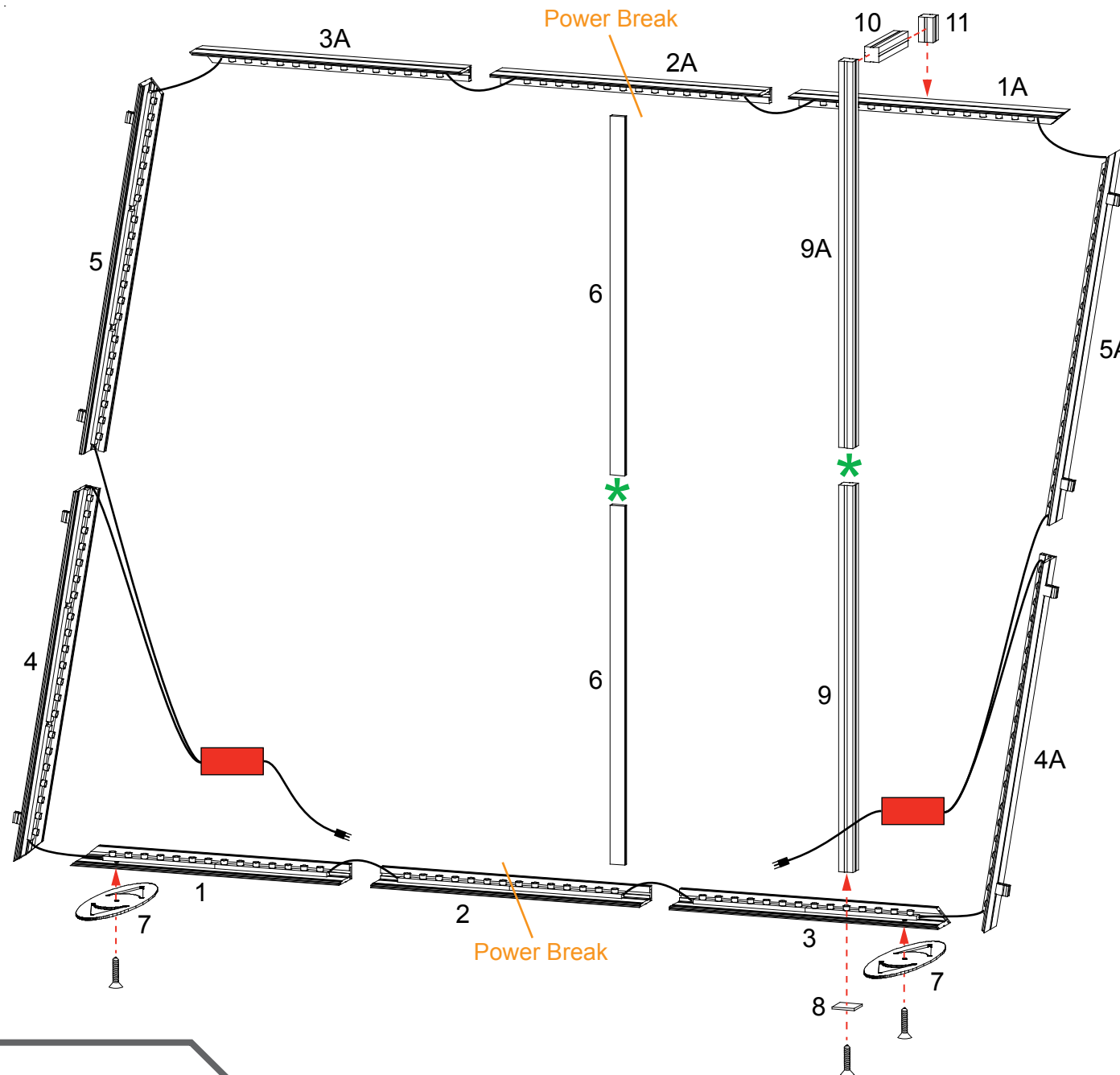
Steps:

- 1) Assemble [1,2,3] [1A,2A,3A] [4,5] and [4A,5A] together with straight brackets. See CEI110 Frame Assembly sheet Straight Bracket Assembly details.
- 2) Attach vertical assemblies [4/5] [4A/5A] and horizontal assemblies [1/2/3] [1A/2A/3A] together with Corner brackets. See CEI110 Frame Assembly sheet Corner Bracket Assembly details.
- 3) Connect verticals [6] together then attach between [2] and [2A]. See **PR53 Connector** detail.
- 4) Attach verticals [9] and [9A] together. See **PR53 Connector** detail.
- 5) Attach base plates [7] to horizontals [1] and [2], using bolts.
- 6) Attach base plate [8] to vertical assembly [9/9A], using a bolt.
- 7) Assemble [8/9/9A] [10] and [11] then attach to top of horizontal [1A]. Tighten locks to secure.
- 8) Connect lighting cords and attach transformers. See **Light to Light Connection** and **Light to Transformer Connection** details.



Completed Assembly

Assemble CEI110 frame flat on floor.



**Light to Light Connection**

**Light to Transformer Connection**

Maximum of 14 lights per transformer.

**\* Extrusion Connector**

Slide upper extrusion over connector and rest on lower extrusion. Secure with set screws.

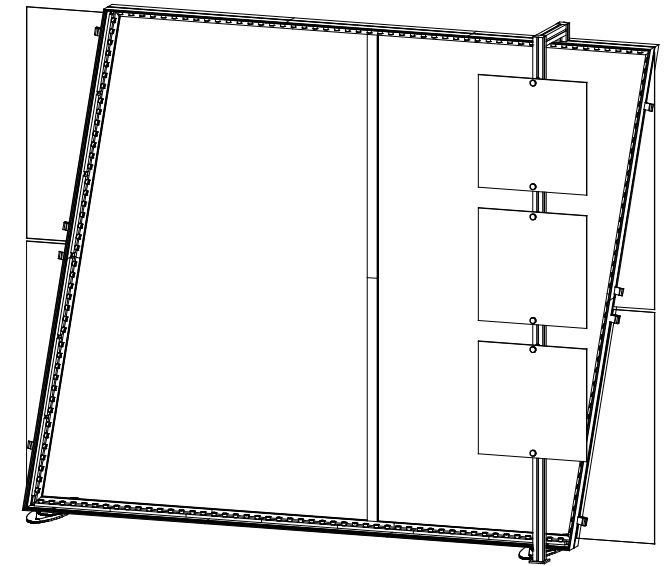
PR53 Connector

Set Screw

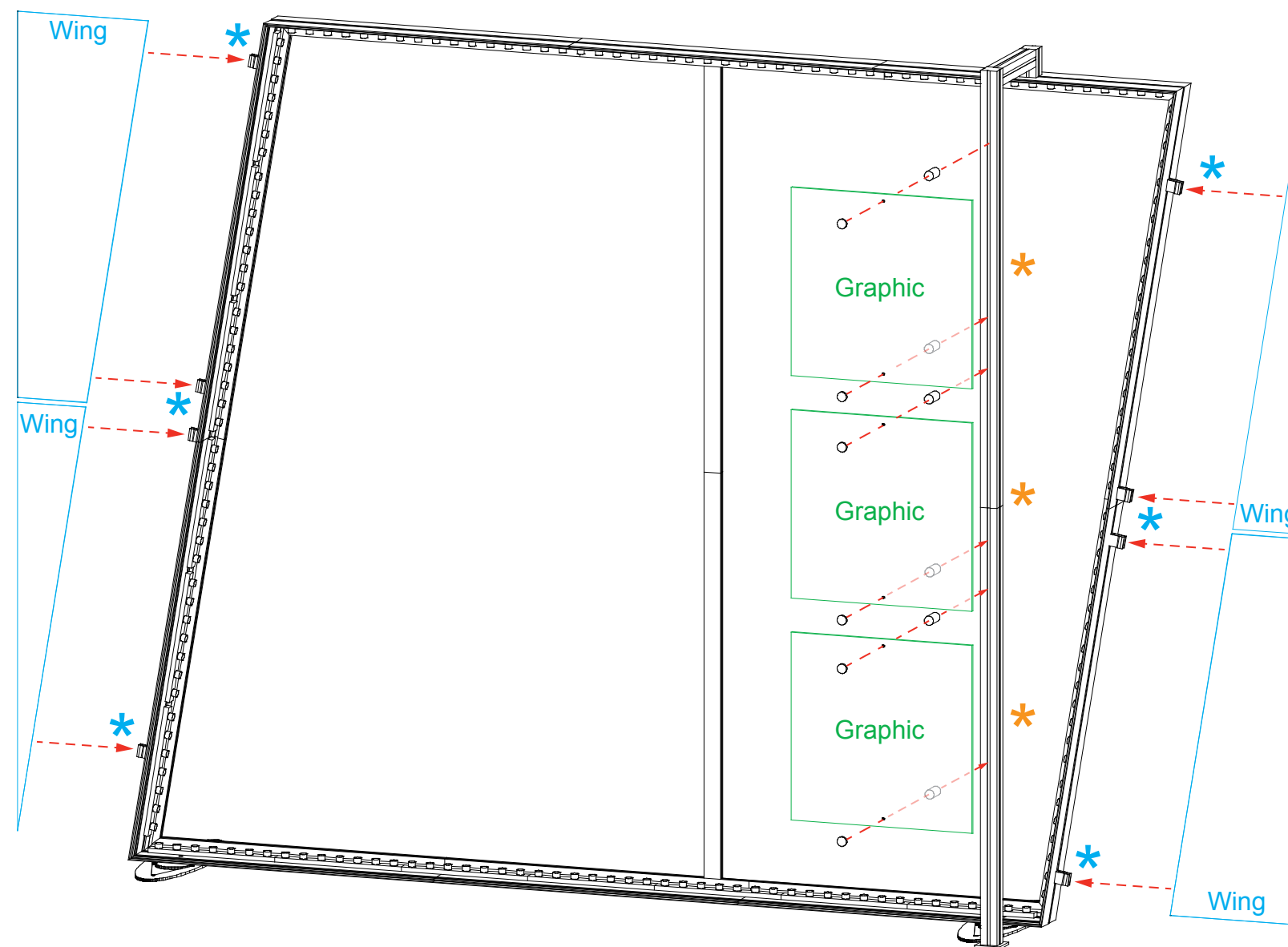
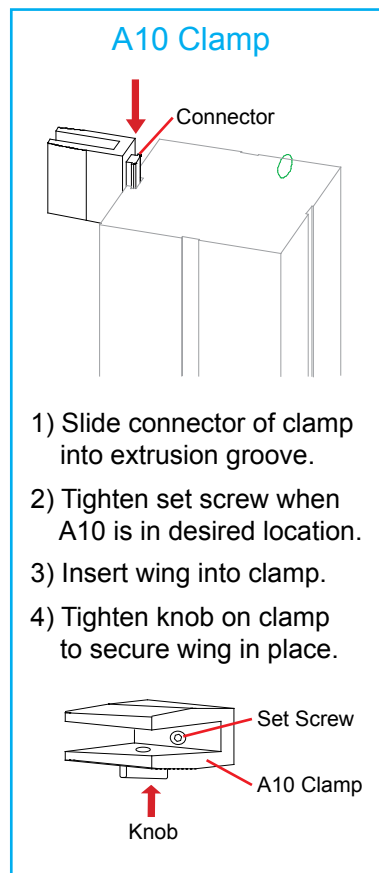
To prevent product loss, keep all screws attached to connector after disassembling.

Steps:

- 1) Attach wings to A10 clamps. See [A10 Clamp](#) detail.
- 2) Attach graphics to vertical extrusion, using standoffs and screw caps.
- 3) Install SEG graphic to front of assembled frame and SEG blocker fabric to back.  
See SEG Graphic Installation sheet for instruction.



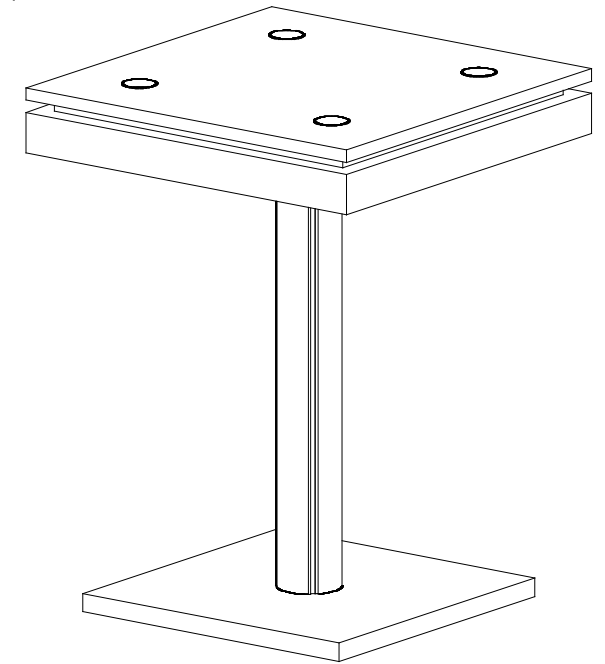
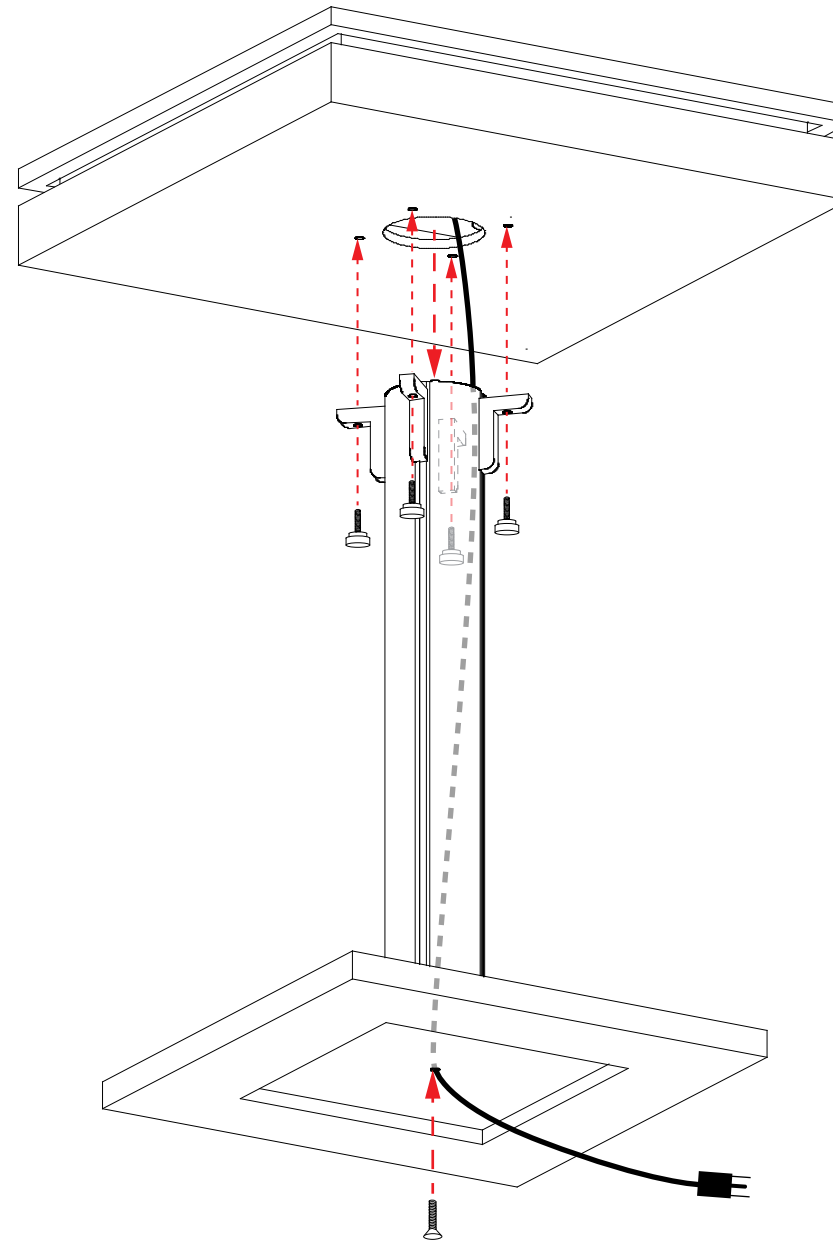
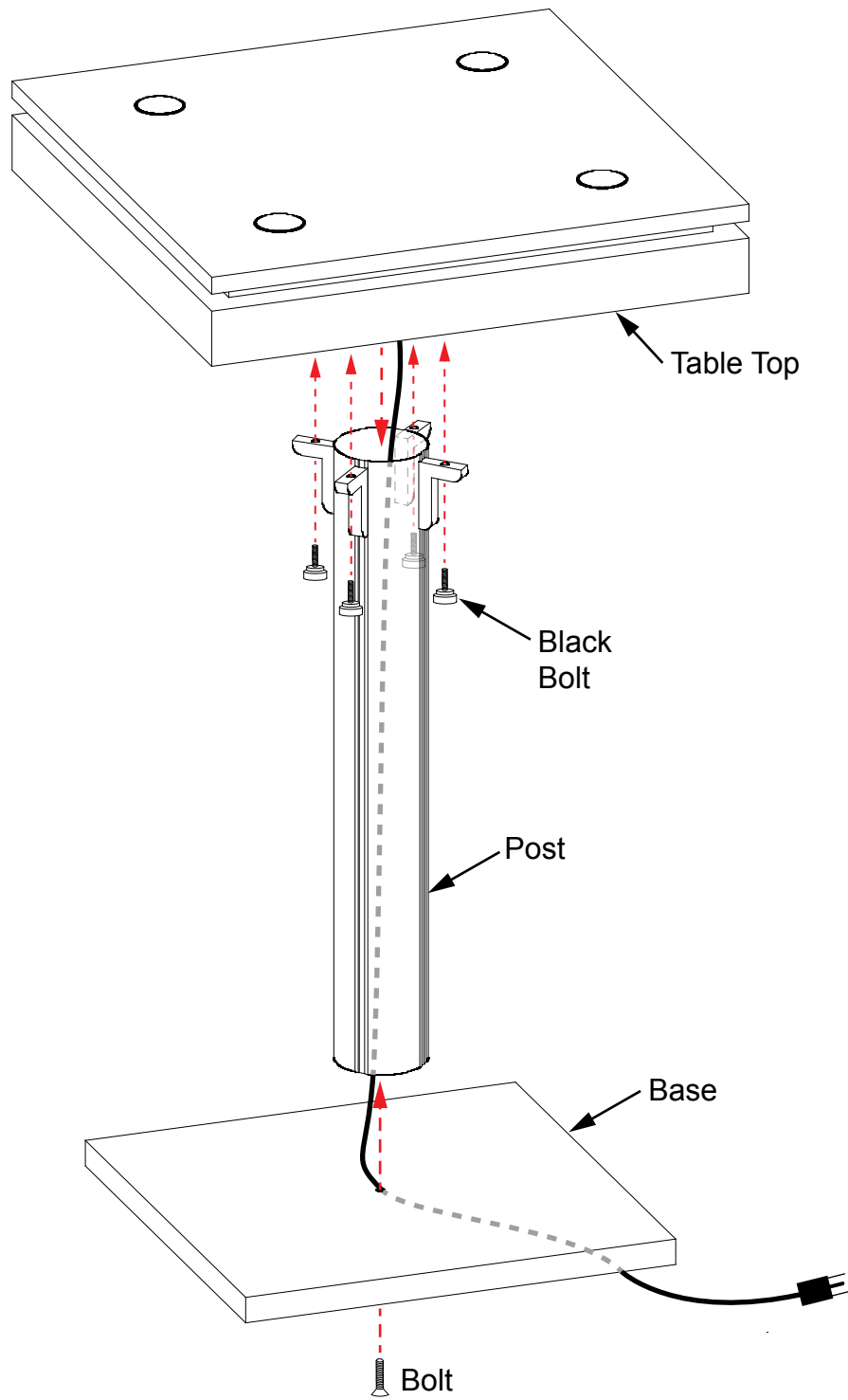
Completed Assembly





Steps:

- 1) Connect base to post, using bolt.
- 2) Route cord from table top through post and base.
- 3) Connect table top to post, with fixed brackets, using black bolts.



Completed Assembly